

## Quick Installation Guide

Outdoor Wi-Fi Camera  
CT3/RT3/CT6/RT6/CT7/RT7

### Package contents

- Camera x 1
- Power adapter x 1
- Installation template x 1
- Waterproof kit x 1
- Anchor x 3 (Height: 6.6 mm, Inner diameter: 2.4 mm, Length: 26.4 mm)
- Screw x 3 (Thread diameter: 3mm, Length: 25 mm, Head diameter: 6.0 mm)
- Quick installation guide

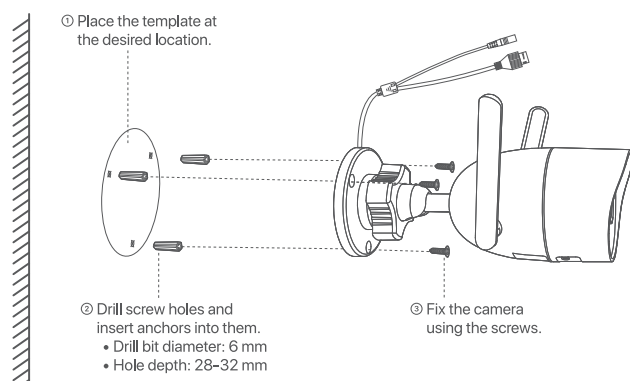
Please read this guide before you start with the quick setup upon the first use. This guide applies to Tenda Security Pan/Tilt Camera. CT6 is used for illustrations here unless otherwise specified. The actual product prevails.

## Install the device

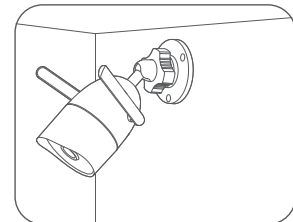
### • Install the camera

The camera supports ceiling and wall mounting.

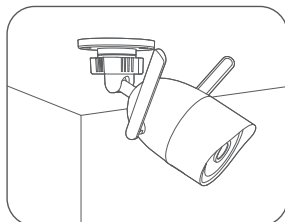
- Tips**
- (1) Please make sure the ceiling is strong enough to withstand three times the weight of the camera and base (if any).
  - (2) You may need a hammer drill, a drill bit, a rubber hammer, a screwdriver, and a ladder for the installation.



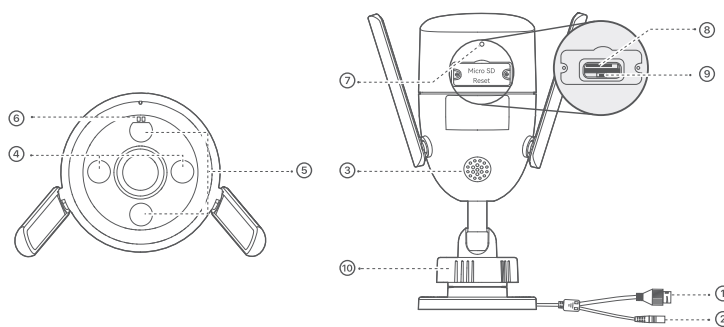
#### Wall mounting



#### Ceiling mounting



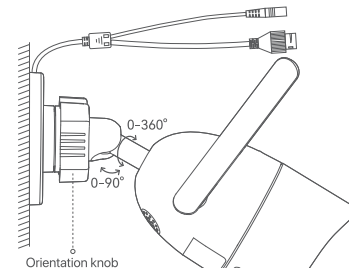
## Appearance



①	<b>Ethernet port</b> 10/100 Mbps auto-negotiation Ethernet port, used for connecting such devices as the router and switch.
②	<b>Power jack</b> Used to connect to the included power adapter.
③	<b>Speaker</b>
④ ⑤	<b>Fill light</b>
⑥	<b>LED indicator</b> Solid red: Initializing and starting. Blinking red slowly: Disconnected from a 2.4 GHz Wi-Fi network. Blinking red quickly: Connecting to a 2.4 GHz Wi-Fi network. Solid blue: Connected to a 2.4 GHz Wi-Fi network. Blinking blue slowly: Upgrading. Blinking blue quickly: Waiting to connect to a 2.4 GHz Wi-Fi network.
⑦	<b>Microphone</b>
⑧	<b>Micro SD card slot</b> (Behind the cover) Insert the Micro SD card to store the monitoring videos.
⑨	<b>Reset button</b> (Behind the cover) Hold down the <b>Reset</b> button for about 5 seconds and release it when the LED indicator blinks blue quickly or hear a prompt tone. The camera is reset successfully.
⑩	<b>Orientation knob</b> Adjust the monitoring angle for the best view through your camera.

### • Adjust the monitoring angle

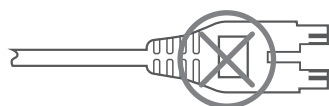
Loosen the orientation knob, adjust the orientation of the camera as required, then tighten the knob.



### • Install waterproof kit

Install the waterproof kit for the Ethernet port if the camera is installed outdoors.

- Tips**
- The included waterproof kit is not suitable for the Ethernet cable with protection cover on the crystal head. See the example on the right.



## Add the camera to TDSEE App

- Tips**
- Before adding your camera, ensure that the router is connected to the internet successfully and the filter function is disabled.

1. Download the TDSEE App onto your mobile device by scanning the QR code or searching for TDSEE in the **Google Play** or **App Store**.

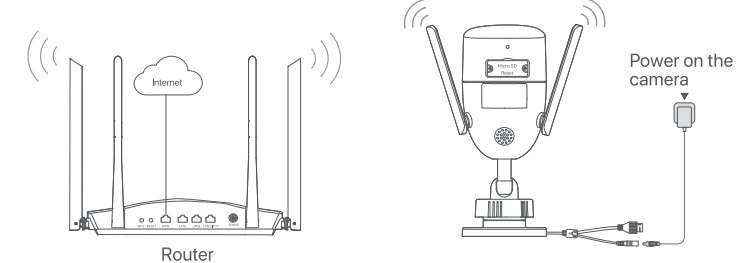


QR code

Or



2. Power on the camera.  
The LED indicator lights solid red after the camera is powered on. When the LED indicator blinks blue quickly, the camera is waiting to connect to a 2.4 GHz Wi-Fi network.

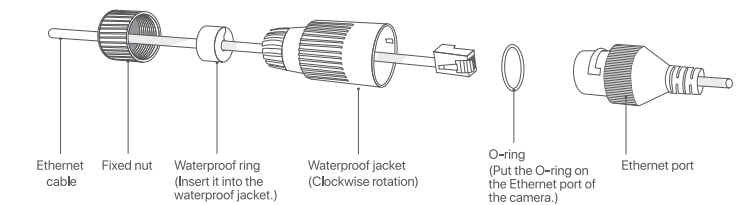


3. Run the **TDSEE** App and follow the instructions to complete user registration. Enter the homepage, then tap **Add a device** or **+** in the upper right corner of the home page.
4. Scan the **QR code** on the body of the camera, and follow the instructions in the App.

After the settings are completed, you can see that the added camera is online on the homepage of the TDSEE App, and the camera has been managed by the TDSEE App.

When the Ethernet port of the camera is connected to an Ethernet cable, the waterproof installation steps are as follows. If not, you are also recommended to install the kit and wrap the end with waterproof tape.

1. Put the O-ring on the Ethernet port of the camera.
2. Pass the Ethernet cable through the fixed nut, the waterproof ring and the waterproof jacket in sequence.
3. Rotate to fix the waterproof jacket to the Ethernet port of the camera, insert the waterproof ring into the waterproof jacket and fasten the fixed nut.



### • Power on the camera

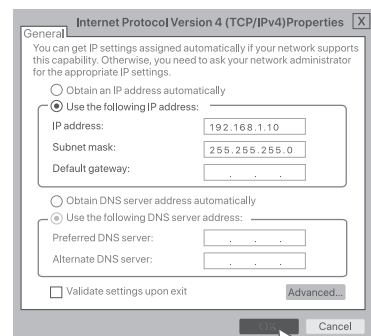
Power on the camera after the camera is mounted. When the camera completes startup, it will automatically connect to the configured Wi-Fi network. When the LED indicator of the camera is solid blue, you can use the camera normally.

## Log in to the web UI of the camera

After the camera works properly, you can manage the camera through TDSEE App or web UI. (Please scan the QR code of **Get support and services** in this guide to obtain the related user guide.)

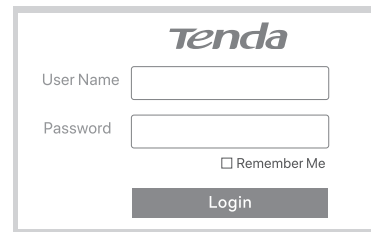
### To log in to the web UI:

1. Connect the computer to the router that is connected to the camera.
  2. Set the IP address of the computer to an unused one belonging to the same network segment as the IP address of the camera but different from the IP address of the camera.
- The camera supports three IP address acquisition methods: **DHCP**, **Auto IP address** and **Fixed IP**. By default, the camera works in the **Auto IP address**.
- If you search for a camera on the web UI or GUI of the NVR in the network, the IP address of the camera will be automatically synchronized to the same network segment as the IP address of the NVR, you can view the current IP address of the camera on the web UI or GUI of the NVR. If not, the camera keeps the default IP address (192.168.1.203).



- Tips**
- After a camera is stably added to an NVR for 24 hours, the IP address acquisition method of the camera will be automatically changed to **Fixed IP**.

3. Start a browser and enter the IP address of the camera in the address bar to access the login page. Enter the **User Name** (default: admin) and **Password** (default: admin123456), then click **Login**.



After successfully logging in to the web UI of the camera, you can start to configure the camera as required.

- Tips**
- For network security, after logging in to the web UI, modify your password in time. If your camera has been successfully managed by the NVR, modifying the login password may cause the camera to go offline. Please operate with caution.



### FCC Statement

This equipment has been tested and found to comply with the limits for a Class B digital device, pursuant to Part 15 of the FCC Rules. These limits are designed to provide reasonable protection against harmful interference in a residential installation. This equipment generates, uses and can radiate radio frequency energy and, if not installed and used in accordance with the instructions, may cause harmful interference to radio communications. However, there is no guarantee that interference will not occur in a particular installation. If this equipment does cause harmful interference to radio or television reception, which can be determined by turning the equipment off and on, the user is encouraged to try to correct the interference by one or more of the following measures:

- Reorient or relocate the receiving antenna.
  - Increase the separation between the equipment and receiver.
  - Connect the equipment into an outlet on a circuit different from that to which the receiver is connected.
  - Consult the dealer or an experienced radio/TV technician for help.
- Operation is subject to the following two conditions: (1) this device may not cause harmful interference, and (2) this device must accept any interference received, including interference that may cause undesired operation.

### Radiation Exposure Statement

This device complies with FCC radiation exposure limits set forth for an uncontrolled environment and it also complies with Part 15 of the FCC RF Rules. This equipment should be installed and operated with minimum distance 20cm between the device and your body.

### Caution:

Any changes or modifications not expressly approved by the party responsible for compliance could void the user's authority to operate this equipment. This transmitter must not be co-located or operating in conjunction with any other antenna or transmitter. Operating frequency: 2412-2462MHz  
NOTE: (1) The manufacturer is not responsible for any radio or TV interference caused by unauthorized modifications to this equipment. (2) To avoid unnecessary radiation interference, it is recommended to use a shielded RJ45 cable.



### RECYCLING

This product bears the selective sorting symbol for Waste electrical and electronic equipment (WEEE). This means that this product must be handled pursuant to European directive 2012/19/EU in order to be recycled or dismantled to minimize its impact on the environment.

User has the choice to give his product to a competent recycling organization or to the retailer when he buys new electrical or electronic equipment.

## FAQ

### Q1: What should I do if I failed to add the camera?

- A1:** Try the following solutions:
- Ensure that the router is connected to the internet successfully.
  - The camera only supports 2.4 GHz Wi-Fi network. When adding the camera, you need to connect the smartphone to a 2.4 GHz Wi-Fi network.
  - Do not hide the Wi-Fi network of the router when adding the camera (After the camera is added successfully, you can hide the Wi-Fi network).
  - Confirm whether the LED indicator of the camera blinks blue quickly. If not, please reset the camera and configure it again.
- Reset method:** Hold down the Reset button for about 5 seconds and release it when the LED indicator blinks blue quickly or you hear a prompt tone. The camera is reset successfully.

### Q2: What should I do when the video preview is not smooth?

- A2:** Try the following solutions first:
- Check if the Wi-Fi network of the router is smooth.
  - Take the router closer to the camera and adjust the antenna angle of the camera to be vertical.
  - When previewing the video with cellular mobile data, make sure that the internet connection of the smartphone is smooth.
- **Auto, Fluent, and HD** are supported for video preview. You can switch the video clarity according to the internet status.

### Q3: How to store the video?

- A3:** Try the following methods:
- Method 1:** Install the micro SD card to the camera. The recording mode of the Micro SD card includes **Alarm Recording** and **All Day Recording**. By default, the recording mode is **Alarm Recording**, you can modify the recording mode according to the actual conditions.
- Method 2:** Subscribe to the Cloud Storage Service on **TDSEE** App.  
**Procedure:** Run the **TDSEE** App, choose the camera on the homepage, then tap **Cloud** in the lower left corner. You can enjoy free cloud storage service (7-days continuous detection recording) for 3 months upon the first activation.
- Method 3:** Connect the camera to the NVR. The camera supports the ONVIF protocol and can be added to the NVR either wired or wireless method for recording storage. The default user name and password of the camera are **admin** and **admin123456** respectively, and the password can be changed on the web UI (some models of cameras support). The specific configuration method of the NVR is subject to the manufacturer's instructions.

### Q4: How to get full-color monitoring video through the camera no matter in the daytime or at night?

- A4: Set Night Vision Mode** of the camera to **Full-color Mode**.  
**Method:** Run the **TDSEE** App, choose the camera on the **Home** page, then tap **Settings** (⊙ in the upper right corner) > **Night Vision Mode**, and choose **Full-color Mode**.

### Q5: How to view the videos stored in the Micro SD card of the camera on the computer?

- A5:** If you remove the Micro SD card installed in the camera and view the videos from your computer, it is recommended to use VLC media player or Potplayer to play the videos.

## Get support and services



<https://www.tendacn.com/service/default.html>

For technical specifications, user guides and more information, please visit the product page or service page on **www.tendacn.com**. Multiple languages are available. You can see the product name and model on the product label.

## Safety Precautions

Before performing an operation, read the operation instructions and precautions to be taken, and follow them to prevent accidents. The warning and danger items in other documents do not cover all the safety precautions that must be followed. They are only supplementary information, and the installation and maintenance personnel need to understand the basic safety precautions to be taken.

- The camera is used outdoors. The power adapter is used indoors.
  - The camera is suitable for mounting at heights >2m.
  - Do not use the device in a place where wireless devices are not allowed.
  - Please use the included power adapter.
  - Mains plug is used as the disconnect device, and shall remain readily operable.
  - The power socket shall be installed near the device and easily accessible.
  - Device operating environment: Temperature: -30°C to 50°C; Humidity: (10% - 95%) RH, non-condensing; Power adapter operating environment: Temperature: 0°C - 40°C; Humidity: (5% - 95%) RH, non-condensing.
  - Keep the device away from water, fire, high electric field, high magnetic field, and inflammable and explosive items.
  - Unplug this device and disconnect all cables during lightning storms or when the device is unused for long periods.
  - Do not use the power adapter if its plug or cord is damaged.
  - If such phenomena as smoke, abnormal sound or smell appear when you use the device, immediately stop using it and disconnect its power supply, unplug all connected cables, and contact the after-sales service personnel.
  - Disassembling or modifying the device or its accessories without authorization voids the warranty, and might cause safety hazards.
- For latest safety precautions, see **Safety and Regulatory Information** on **www.tendacn.com**.

### NOM

LA OPERACIÓN DE ESTE DISPOSITIVO ESTÁ SUJETA A LAS SIGUIENTES CONDICIONES:

- Es posible que este equipo o dispositivo no cause interferencia perjudicial.
- Este equipo o dispositivo debe aceptar cualquier tipo de interferencia, incluyendo la que pueda causar su operación no deseada.

Estimado usuario: Antes de utilizar este producto lo invitamos a leer el siguiente manual para que conozca todas sus funciones y características.

Producto	NOMBRE DEL PRODUCTO: Cámara Wi-Fi para Exteriores MODELO: RT6: CT3/RT3/CT6/RT6/CT7/RT7
Alimentador de Energía: Alimentación: 100V - 240V ca 50Hz/60Hz, 0.4A Salida: 12V cc 1A	<b>NOM</b>



### Technical Support

Shenzhen Tenda Technology Co., Ltd.  
Floor 6-8, Tower E3, No.1001, Zhongshanyuan Road, Nanshan District, Shenzhen, China. 518052  
Website: [www.tendacn.com](http://www.tendacn.com)  
E-mail: [tendasecurity@tenda.cn](mailto:tendasecurity@tenda.cn)  
support.us@tenda.cn (North America)  
support.uk@tenda.cn (United Kingdom)

### Copyright

© 2023 Shenzhen Tenda Technology Co., Ltd. All rights reserved. Tenda is a registered trademark legally held by Shenzhen Tenda Technology Co., Ltd. Other brand and product names mentioned herein are trademarks or registered trademarks of their respective holders. Specifications are subject to change without notice.